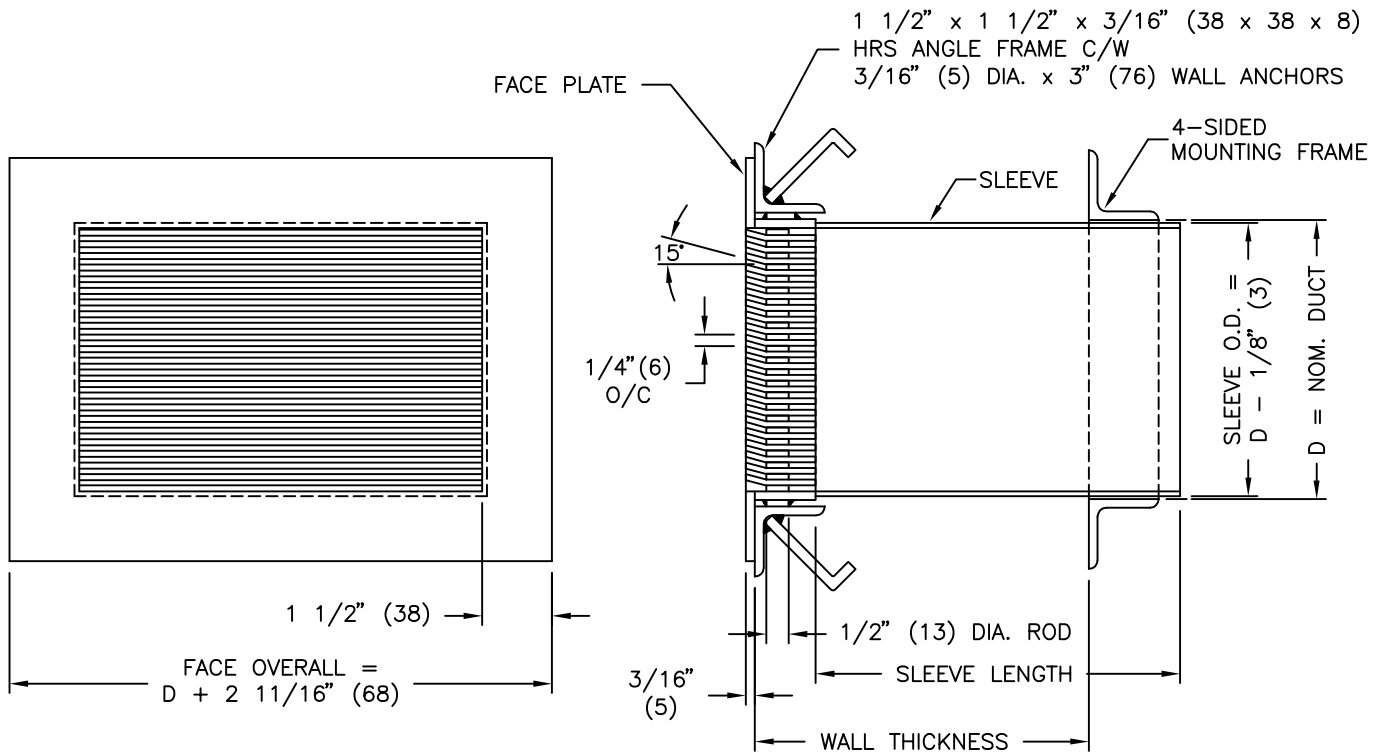


MSGS - MAXIMUM SECURITY GRILLE STEEL ROD



STANDARD CONSTRUCTION:

FRAME:

FACE PLATE AND CORE SUPPORT PLATES: 3/16" (5) HOT ROLLED STEEL

BARs:

STANDARD CORE STYLE C9: 1/8" x 1 1/2" (3 x 38) HRS BARS ON 1/4" (6) CENTERS, 15° DEFLECTION WITH ROUND WASHER SPACERS MECHANICAL LOCK CONSTRUCTION ON 6" (152) MAXIMUM CENTERS

CORE STYLE OPTIONS:

C10: 1/8" x 1 1/2" (3 x 38) ON 1/4" (6) CENTERS, 0° DEFLECTION

SLEEVE:

S12 12 GA. HRS, LENGTH AS REQUIRED, STITCH WELDED SEAMS

4-SIDED MOUNTING FRAME:

MF1 1 1/2" x 1 1/2" x 3/16" (38 x 38 x 5) HRS ANGLE (SHIPPED LOOSE FOR FIELD WELDING)

FINISH:

B12 WHITE (OPTIONAL FINISHES AVAILABLE)

OPTIONS & ACCESSORIES:

DAMPER OPTIONS:

3BR

BARRIER BAR STYLE OPTIONS:

BB16 BB17 BB18 BB19 BB20 BB21 BB22 BB23

NOTES:

- MINIMUM SIZE = 6" x 6" (152 x 152)
- MAXIMUM SIZE = 24" x 12" (610 x 305)
- FACTORY TOLERANCE ±1/32" (1)
- SLEEVE LENGTH MUST BE SPECIFIED ON ORDER
- BARS RUN PARALLEL TO THE LONG DIMENSION
- OPTIONAL: HEAT TREATED SPS 245 ROD

ALL METRIC DIMENSIONS () ARE SOFT CONVERTED. IMPERIAL DIMENSIONS ARE CONVERTED TO METRIC AND ROUNDED TO THE NEAREST MILLIMETER.

PROJECT:		PRICE®	
ENGINEER:		<i>MG</i>	MSGS MAXIMUM SECURITY GRILLE STEEL ROD
CUSTOMER:		233562	
SUBMITTAL DATE:	SPEC. SYMBOL:	2013/10/22	